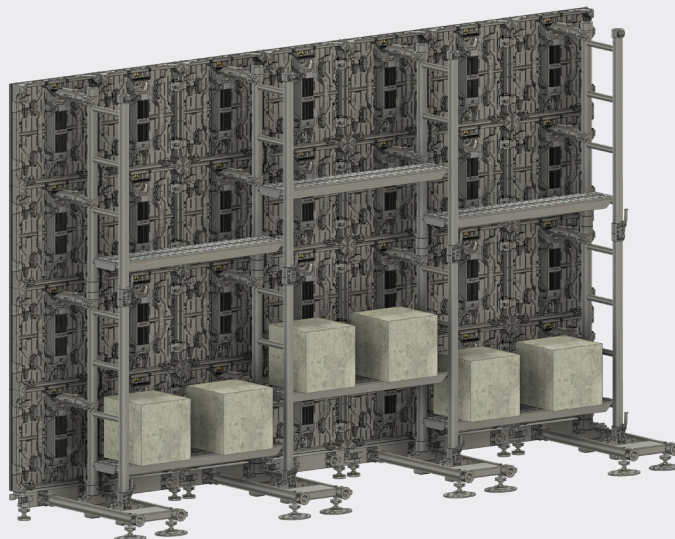


## Overview

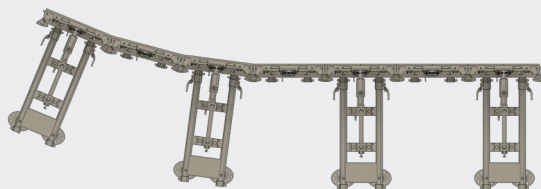
# Stacking Material for Absen Polaris LED Video Walls

Distance between the floor and the first panel	135 to 195 mm
Minimal depth of the screen	1 m
Maximum construction height	5 m

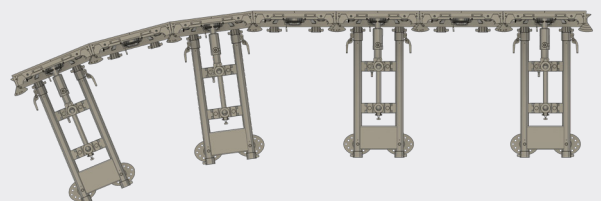
- ❗ Adjustable beams are mandatory for heights of 2.5 metres and above.
- ❗ The platforms are intended for the counter weights (see offer/statics) and/or as a working platform for technicians.
- ❗ The static analysis is available (please contact your NicLen account manager).



Exemplary Absen Polaris LED Wall 7x4 Panels - Rear View



Concave up to 10°



Convex up to 7.5°

Do you have questions?  
Our sales team will be happy to help you!

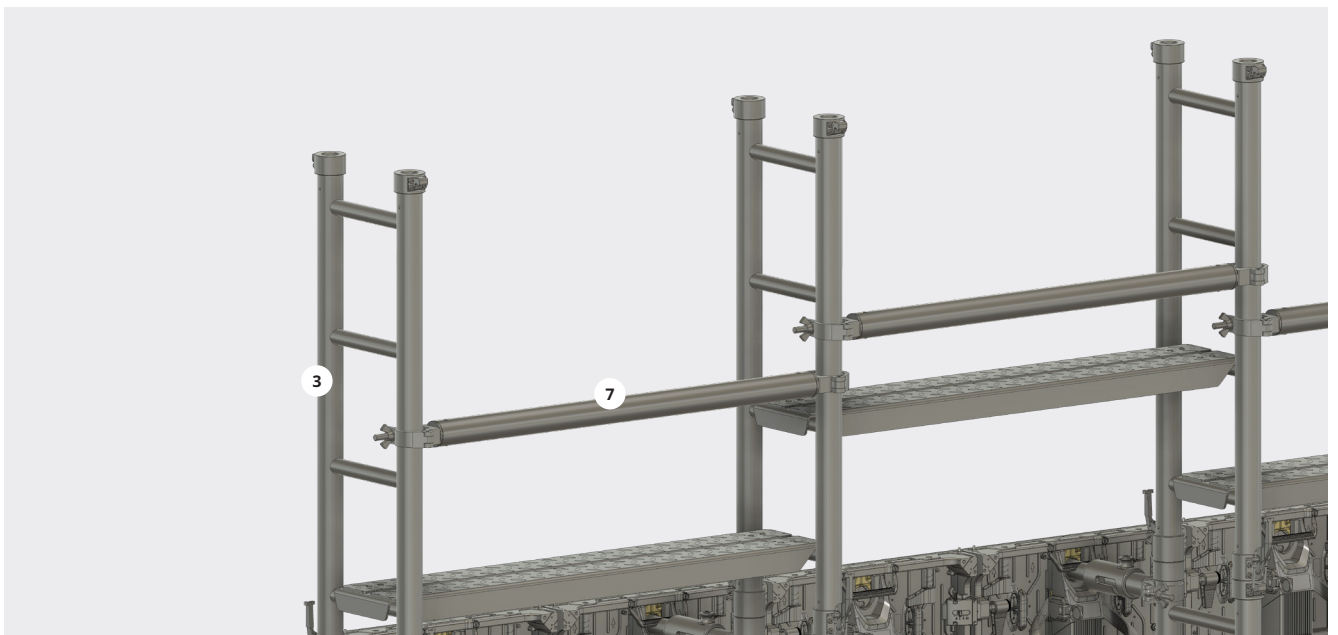
✉ [vertrieb@niclen.de](mailto:vertrieb@niclen.de)

☎ +49 231 99961 0

Overview

# Stacking Material for Absen Polaris LED Video Walls

- 1 Absen Base Stand 0.5 m
- 2 Absen Outrigger 0.8 m
- 3 Absen Ladder 1 m
- 4 Absen Clamp
- 6 Absen Platform 1 m
- 7 Absen Adjustable Beam 1 m (over 2.5 m height)



Do you have questions?  
Our sales team will be happy to help you!

✉ [vertrieb@niclen.de](mailto:vertrieb@niclen.de)

☎ +49 231 99961 0